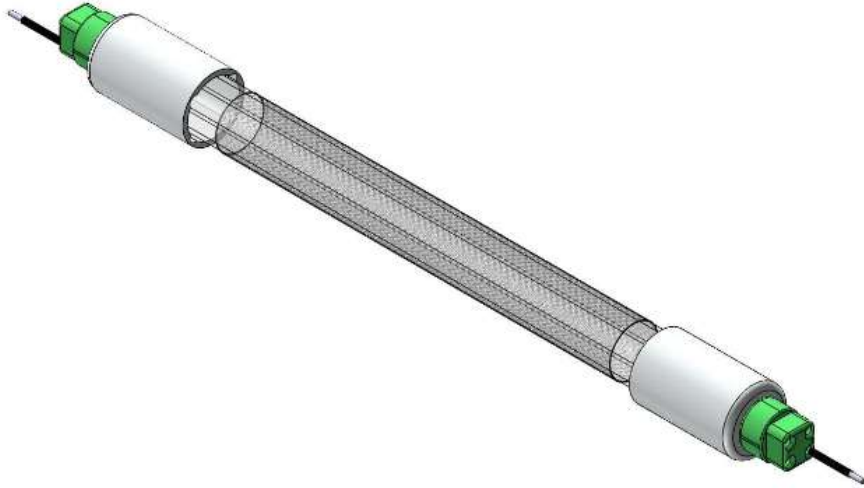


EL01-150

Linear, 30W, 150mm, Excimer lamp



Key Features

- High-intensity emission at 222nm
- >3000 hours lifetime
- Custom lengths available
- RoHS Compliant

Applications

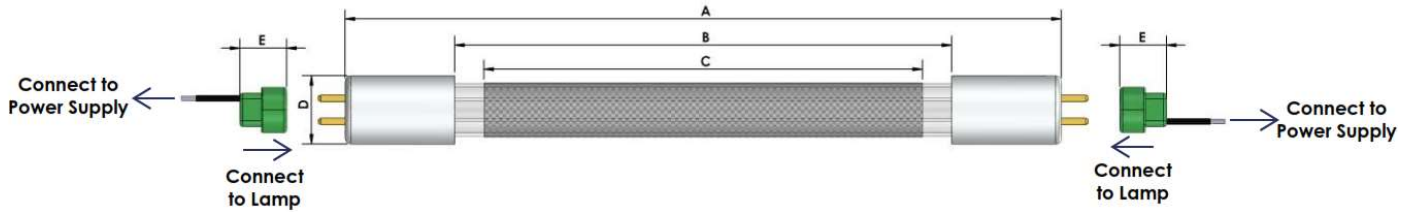
- Air disinfection; viral and other microbes
- Surface disinfection; viral and other microbes
- Food processing
- Pharmaceutical processing
- Packaging sterilization

Excelitas excimer lamps utilize nanosecond duration excitations of exciplex species to generate narrow bandwidth 222nm ultraviolet light safely and efficiently. The 222nm wavelength is eye safe and has proven effective at combating a wide variety of microbes, making Excelitas excimer products worthy of consideration in a stand-alone system or integrated into multiple modality disinfection solutions. Long lifetime ensures reliable usage long after other technologies degrade in efficacy or require a bulb replacement.

Co-axial excimer lamps achieve excellent lifetimes and output with materials optimized for working in the deep UV regime. Electrode life is maximized by isolation from the plasma discharge. While standard linear sizes are available, Excelitas also offers customized co-axial excimer lamp geometries upon request.

EL01-150

Linear, 30W, 150mm, Excimer Lamp



Mechanical Specifications

Dimension	Description	Nominal
A	Lamp Length	245mm
B	Window Length	170mm
C	Electrode Length	150mm
D	Lamp Diameter	∅23.4mm
E	Electrical Connector Length	16.0mm
-	Wire Length	TBD
-	Weight	TBD

Operating Specifications

Description	Nominal
Power Input	30 Watts
Irradiance*	Depending upon distance and geometry
Radiant Flux*	450 mW UV-C
Warm-up time	<100 µsec
Surface Temperature	120°C, Maximum
Lifetime**	>3000 hours typical

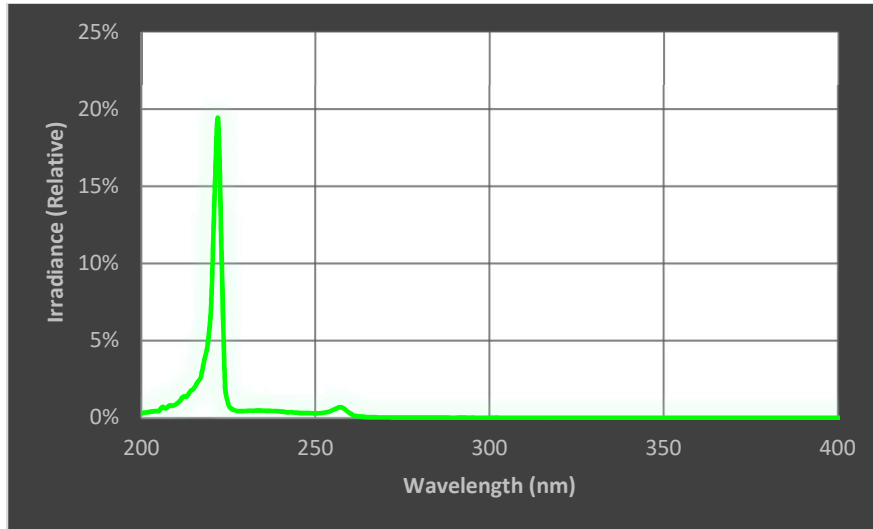
*Per Excelitas measurement method

**End of Life- 30% reduction in output from new

EL01-150

Linear, 30W, 150mm, Excimer Lamp

Spectral Output



Environmental Specifications

Description	Nominal
Ambient Starting Temperature	0°C Minimum
Operating Humidity	85% Maximum, non-condensing
Environmental Operating Pressure	700 to 1050 hPa
Storage Temperature	TBD
Storage Humidity	85% Maximum, non-condensing

Notes:

1. Lamps require ambient air cooling.
2. Operational warnings:
 - Do not touch the lamp module during operation. High voltage applied during operation.
 - Do not place flammable items nearby during operation.
 - For additional precautions, please refer to the lamp specification sheet.
3. Spectral output is unfiltered.
4. For disposal, standard practices apply. No special requirements.

EL01-150

Linear, 30W, 150mm, Excimer Lamp

RoHS Compliance

The excimer lamp is designed and built to be fully compliant with the European Union Directive 2015/863/EU – Restriction of the use of certain Hazardous Substances (RoHS) in Electrical and Electronic equipment.



About Excelitas Technologies

Excelitas Technologies® Corp. is a leading industrial technology manufacturer focused on delivering innovative, market-driven photonic solutions to meet the illumination, optical, optronic, sensing, detection and imaging needs of our OEM and end-user customers. Serving a vast array of applications across biomedical, scientific, semiconductor, industrial manufacturing, safety, security, consumer products, defense and aerospace sectors, Excelitas stands committed to enabling our customers' success in their many various end-markets. Our team consists of more than 7,500 professionals working across North America, Europe and Asia, to serve customers worldwide.



For a complete listing of our global offices, visit www.excelitas.com/locations

© 2022 Excelitas Technologies Corp. All rights reserved. The Excelitas logo and design are registered trademarks of Excelitas Technologies Corp. All other trademarks not owned by Excelitas Technologies or its subsidiaries that are depicted herein are the property of their respective owners. Excelitas reserves the right to change this document at any time without notice and disclaims liability for editorial, pictorial or typographical errors.