

OmniCure SC Series Power Supply Controller

Offering Greatest Flexibility
and Simplicity for UV Curing
Applications



Tailored for integration with AC Series UV LED curing products

Compatible across entire AC Series systems, with common DC power connector interface and voltage specifications

Scalable and compact form factor that enables simplified integration and short commissioning time

Flexible design allows for customization and selection of the best SC power supply controller to meet curing needs

Seamless integration into standard industrial equipment racking with the SC0750, SC1000, SC2000 and SC3000



Features and Benefits

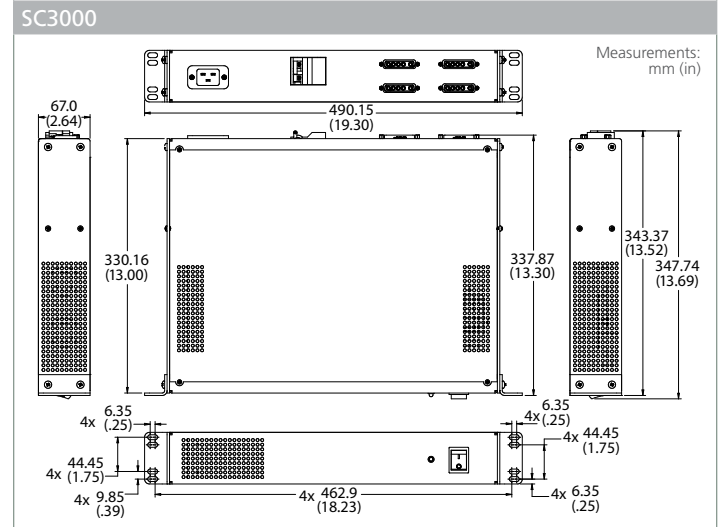
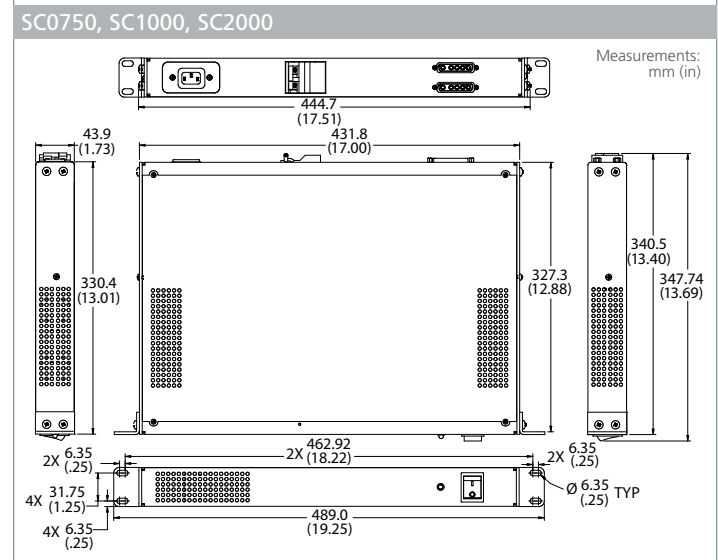
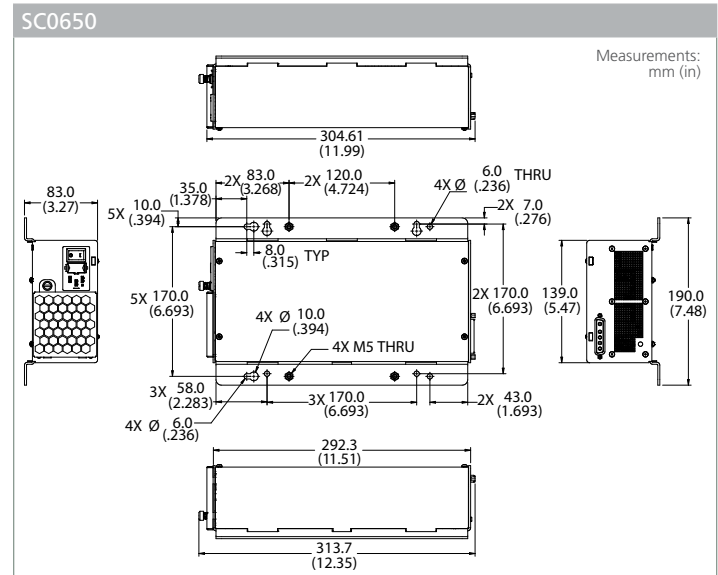
SC0650	
Single-head Solution	Simple and cost-effective for small area applications
Flexible Installation Options	Easy installation in any orientation with minimal additional hardware required
Standard Connection on All OmniCure® AC Series Products	Consistent across the entire OmniCure AC Series product range to minimize inventory
Compact and Lightweight	Adaptable to most environments
Integrated, User-Serviceable Air Filter	Allows installation in environments without additional dust-screening methods
SC0750, SC1000, SC2000, SC3000	
Professional Grade Solution	Easy integration into industrial environments with standardized enclosure, mounting and minimal maintenance
Standard Connection on All OmniCure AC Series Products	Suitable for use across the entire OmniCure AC Series product range to minimize inventory
Conveyor Compatible	Standardized mount spacing ensures hassle-free installation in OmniCure CV300 conveyor
Compact Form Factor	High power-density, scalable solution with multiple power connectors for large area curing
Integrated Circuit Breaker	Resettable protection provides guaranteed isolation for maintenance or in the event of an electrical fault

Technical Specifications

	SC0650	SC0750	SC1000	SC2000	SC3000
Operating Temperature Range	10-40 °C				
Dimensions* (L x W x H)	293 x 190 x 83 mm	341 x 445 x 44 mm			341 x 445 x 67 mm
Weight	2.0 kg (4.5 lbs)	3.9 kg (8.6 lbs)			6.5 kg (14.3 lbs)
Input Voltage	100-240 VAC 50/60 Hz			200-240 VAC 50/60 Hz	
Max. AC Input Current	7.5-3.1 A	9-4.3 A	12-6.5 A	13-9.6 A	15.6-13 A
Protection Rating	8 A Fuse	10 A	13 A	16 A	
Max. DC Power	650 W	750 W	1000 W	2000 W	2800 W
Operating Voltage	48 V DC ± 1 V				
Max. DC Current	13.5 A	15.7 A	21 A	41.5 A	58.3 A
# of DC Output Connectors	1	2			4
Certifications	CE, RoHS, WEEE				

*Not including mounting brackets.

Mechanical Drawings



EXCELITAS
TECHNOLOGIES®

www.excelitas.com
omnicure@excelitas.com

2260 Argentia Road
Mississauga, Ontario
L5N 6H7 CANADA

Telephone: +1 905 821-2600
Toll Free (USA and CAN): +1 800 668-8752
Fax: +1 905 821-2055